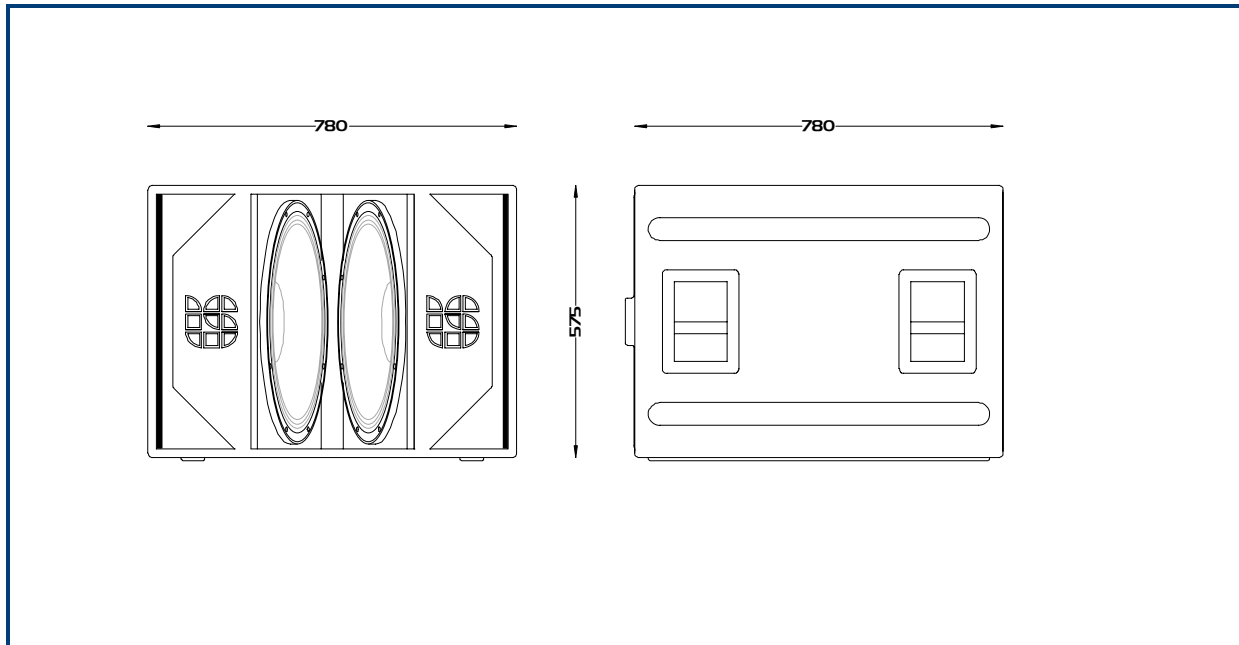




Ethos Nd218 is a high power, band pass, sub bass enclosure, which is designed to be used with the Ethos VA vertical array cabinet and Ethos CA fixed angle array. The cabinet employs two 18" long throw neodymium cone transducers, each mounted in their own-vented back cavity, while both drivers are also co-aligned into a V shaped front manifold. The Ethos Nd218 shares the width and depth of the companion Ethos Nd315 bass enclosure, enabling easy and compact stacking. To aid mobility the cabinet is designed to be used with a front mounting heavy duty transit dolly. Offering high power detailed sub bass response in a relatively compact package; the Ethos Nd218 is an integral element of the Ethos array systems, array for the real world.



Frequency Response:	• 40Hz – 100Hz
Components:	• Bass: 2 off 18" cone drivers
Power handling:	• 2400W
Sensitivity (1):	• 104 dB
Directivity:	• Omni-directional.
Impedance:	• 4 Ohm
Construction:	• 18mm Birch plywood
Finish:	• Water based textured black paint
Connections:	• 2 x Neutrik NL4 connectors. • 1+/1- input 2+/2- linked
Dimensions:	• 780mm (W) x 575mm (H) x 780mm (D)
Packaged Dimensions:	• 840mm (W) x 615mm (H) x 840mm (D)
Weight:	• 72Kg (Dolly: 9 Kg)

Cabinet	Handles	Tophat	M2o plate	Castors	Bracket Pt.	Inserts/Fly Points
Nd218	8 off	No	No	Dolly	No	No

Note: (1) Sensitivity measured at 1 metre with 2.83V, using band limited pink noise.